

Precision Balances

FZ-i FX-i

Series



FZ-i



FX-i



AND ...Clearly a Better Value
A&D Company, Limited
<http://www.aandd.jp>

“High Functionality You Can Afford”

The FZ-i/FX-i Series, a new addition to A&D’s precision balances, rivals our GX/GF Series in performance and quality, but offers higher accessibility, bringing to you a cost-effective solution for a diverse array of applications.

Newly developed, Air-pump Controlled Internal Calibrationⁱ (FZ-i models only) *ⁱ Patent Pending

For the internal calibration of the FZ-i Series, A&D adopted a direct-driving method that utilizes air pressure for its power source. This new method features a simple structure, high reliability and a fail-safe mechanism – the internal mass returns to the original position even if the calibration is interrupted by power failure, etc.

One Touch Automatic Calibration (FZ-i models only)

With just one press of a key, you can ensure the accuracy of your balance.

Compact, B5 Size Footprint

By taking advantage of our Compact Super Hybrid Sensor (C-SHS) technologyⁱⁱ, A&D has significantly reduced the size of the FZ-i/FX-i Series – 25% smaller footprint than the GX/GF Series, making it ideal for installation and use in narrow spaces. *ⁱⁱ Patent Pending

Fast, 1 Second Stabilization

The C-SHS combines the best of magnetic force restoration and single point parallelogram load sensing technologies. This allows the C-SHS to realize a response speed of **just 1 second** while maintaining extremely high span stability. The FZ-i/FX-i Series will maximize your productivity and efficiency.

Shock Absorber Functionⁱⁱⁱ *ⁱⁱⁱ Patent Pending

The internal shock absorber protects the C-SHS from the adverse effects of vertical and transverse overloading.



RS-232C Interface (standard)

Bi-directional communication is possible with a PC, printer or other peripheral devices.

Quick USB Interface (FXi-02)

The easy-to-use optional USB interface requires no driver or software installation for transfer of weighing data to a PC.^{iv}

*iv Unidirectional communication from a balance to a PC only. Please use the standard RS-232C interface to send commands from a PC to the balance.

LAN-Ethernet Interface (FXi-08) with WinCT-Plus Software

WinCT-Plus software makes it possible for the user to easily set up an IP address, subnet mask, etc. The user can also send commands for controlling and acquiring data from multiple balances.



Multiple Weighing Units

Programmable or standard weighing units of measurement can be selected; g, pcs, %, oz, lb, L oz, ozt, ct, mom, dwt, GN, tl, tol, mes and MLT

GLP/GMP/GCP/ISO Compliant

In accordance with GLP and LIMS regulations, the balance ID number and calibration data can be printed out using A&D's AD-8121B or a PC

Statistical Calculation Function

The balance displays and/or output statistical calculation data as No. (number of data), SUM (total), MAX (maximum), MIN (minimum), R [range (maximum - minimum)], AVE (average), SD (standard deviation) and CV (coefficient of variation)

Response Adjustment Function

Selectable FAST, MID or SLOW response to suit weighing environment conditions.

ACAI – Automatic Counting Accuracy Improvement

For the counting function, the balance recalculates the average unit weight each time samples are added to eliminate errors caused by variations in unit weight.

Built-in Rechargeable Battery (FXi-09)

An optional Ni-MH rechargeable battery pack can be fitted into the FZ-i/FX-i Series for use without AC power and for mobile applications (10 hours charging time for 8 hours operation)



Large Breeze Break (FXi-11)

The small breeze break comes as standard with all the FZ-i models, FX-120i, FX-200i, FX-300i and FX-500i.

Specifications

	FZ-120i	FZ-200i	FZ-300i	FZ-500i	FZ-1200i	FZ-2000i	FZ-3000i	FZ-5000i
	FX-120i	FX-200i	FX-300i	FX-500i	FX-1200i	FX-2000i	FX-3000i	FX-5000i
Weighing capacity	122 g	220 g	320 g	520 g	1220 g	2200 g	3200 g	5200 g
Minimum weighing value	0.001 g				0.01 g			
Counting mode	Minimum unit mass				0.001 g			
	Number of samples				5, 10, 25, 50 or 100 pieces			
Percent mode	Minimum 100% reference mass				0.100 g			
	Minimum 100% display				0.01 %, 0.1 %, 1 % (depends on the reference mass stored)			
Repeatability (Standard Deviation)	0.001 g				0.01 g			
Linearity	±0.002 g				±0.02 g			
Stabilization time (when set to FAST)	Approx. 1 second							
Sensitivity drift (10°C to 30°C)	±2 ppm / °C							
Operating temperature	5 °C to 40 °C (41 °F to 104 °F), 85 %RH or less (no condensation)							
Display type	Vacuum Fluorescent Display (VFD)							
Display refresh rate	5 times /second, 10 times /second or 20 times /second							
Standard serial interface	RS-232C Interface							
Weighing pan (diameter)	130 mm				150 mm			
External calibration mass	100 g	200 g	300 g	500 g	1000 g	2000 g	3000 g	5000 g
	50 g	100 g	200 g	400 g	500 g	1000 g	2000 g	4000 g
		50 g	100 g	300 g		500 g	1000 g	3000 g
			50 g	200 g			500 g	2000 g
				100 g				1000 g
			50 g				500 g	
AC adaptor	Confirm that the adaptor type is correct for the local voltage and power receptacle							
Power consumption	Approx. 11VA (supplied to the AC adaptor)							
External dimensions	193 (W) X 262.5 (D) X 85.5 (H) mm							
Net weight	FZ-i Approx. 3.0 kg / FX-i Approx. 2.5 kg							

Options

- FXi-02*** Quick USB interface with cable
- FXi-08*** Ethernet interface with WinCT-Plus software
- FXi-09*** Built-in rechargeable battery
- FXi-10** Small breeze break
- FXi-11** Large breeze break
- FXi-12** Animal weighing pan (FZ,FX-1200i / 2000i / 3000i / 5000i)
- FXi-15** Carrying case

* FXi-02, FXi-08 and FXi-09 cannot be used at the same time.

Accessories

- AD-1683** Static eliminator
- AD-1684** Electrostatic fieldmeter
- AD-1688** Weighing data logger
- AD-1689** Tweezers for calibration weight
- AD-8920A** Remote display
- AD-8922A** Remote controller
- AD-8121B** Compact printer
- AD-8526** Serial/Ethernet converter
- AD-8527** Quick USB adapter
- AX-USB-9P** Serial/USB converter
- AX-KO2466-200** RS-232C cable (9P-9P)
- AX-CARATPAN-W** Carat pan (silver, 2pcs)
- AX-CARATPAN-B** Carat pan (black, 2pcs)
- AX-FXi-31** Main unit cover (5pcs)



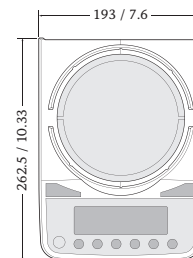
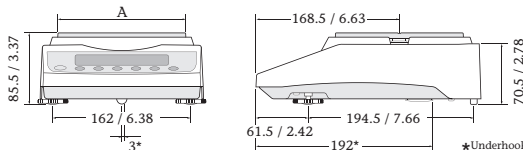
AD-8121B



AD-1688

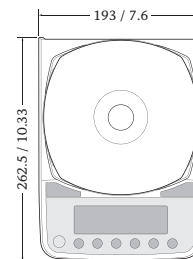
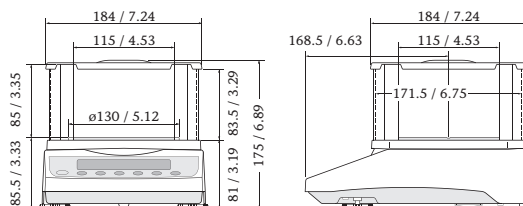
External Dimensions (mm/inches)

Pan size	A
FZ,FX-120i / 200i / 300i / 500i	130 / 5.12
FZ,FX-1200i / 2000i / 3000i / 5000i	150 / 5.91

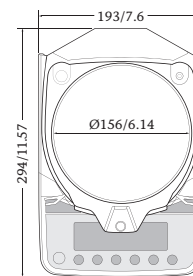
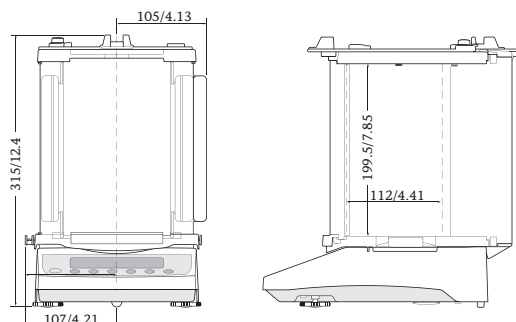


Dimensions with Small Breeze Break (FXi-10)

(Comes equipped with FZ,FX-120i/200i/300i/500i, FZ-1200i/2000i/3000i/5000i)



Dimensions with Large Breeze Break (FXi-11)



AND

...Clearly a Better Value

A&D Company, Limited

3-23-14 Higashi-Ikebukuro, Toshima-ku, Tokyo 170-0013 JAPAN
Telephone: [81](3) 5391-6132 Fax: [81](3) 5391-6148
http://www.aandd.jp

A&D ENGINEERING, INC.

1756 Automation Parkway, San Jose, CA 95131 U.S.A.
Telephone: [1](408) 263-5333 Fax: [1](408) 263-0119

A&D Australasia Pty Ltd.

32 Dew Street, Thebarton, South Australia 5031 AUSTRALIA
Telephone: [61](8) 8301-8100 Fax: [61](8) 8352-7409

A&D INSTRUMENTS LTD.

Unit 24/26 Blacklands Way Abingdon Business Park,
Abingdon, Oxon OX14 1DY UNITED KINGDOM
Telephone: [44](1235) 550420 Fax: [44](1235) 550485

<German Sales Office>

Hamburger Straße 30 D-22926 Ahrensburg GERMANY
Telephone: [49](0) 4102 459230 Fax: [49](0) 4102 459231

A&D KOREA Limited

Manhattan Bldg. 8F, 36-2 Yoido-dong, Youngdeungpo-gu, Seoul, KOREA
Telephone: [82](2) 780-4101 Fax: [82](2) 782-4280

A&D RUS CO., LTD.

Vereyskaya str. 17, Moscow, 121357 RUSSIA
Telephone: [7] (495) 937-33-44 Fax: [7] (495) 937-55-66

A&D Instruments India Private Limited

509 Udyog Vihar Phase V
Gurgaon-122 016, Haryana, INDIA
Telephone: [91](124) 471-5555 Fax: [91](124) 471-5599