

# Dial Depth Gage

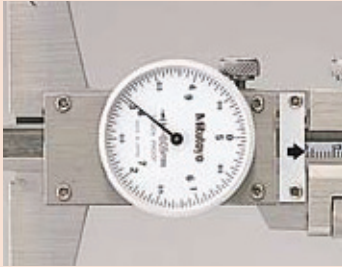
**SERIES 527 — with Fine Adjustment**

## Technical Data

Accuracy: Refer to the list of specifications.  
 Dial reading: 0.05mm or .001"  
 Base size: 100 x 6.5mm (W x T)

## Optional Accessory

—: Extension base



## FEATURES

- Easy-to-read dial.
- Made of hardened stainless steel.
- Base and measuring faces are hardened and micro-lapped.
- Optional wider extension bases are available.



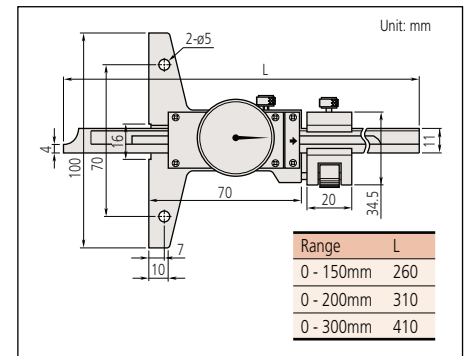
527-301-50

## SPECIFICATIONS

Metric			
Range	Order No.	Dial reading	Accuracy
0 - 150mm	<b>527-301-50</b>	0.05mm	±0.05mm
0 - 200mm	<b>527-302-50</b>	0.05mm	±0.05mm
0 - 300mm	<b>527-303-50</b>	0.05mm	±0.08mm

Inch			
Range	Order No.	Dial reading	Accuracy
0 - 6"	<b>527-311-50</b>	.001"	±.001"
0 - 8"	<b>527-312-50</b>	.001"	±.001"
0 - 12"	<b>527-313-50</b>	.001"	±.0015"

## DIMENSIONS



# Extension Bases

**Optional Accessories for Depth Gage**

## FEATURES

- Attaches to the base (reference face) plate of a depth gage to extend its span.
- These extension bases cannot be attached to 0 - 600mm, 0 - 1000mm, 0-24" and 0-40" range models.



Extension base



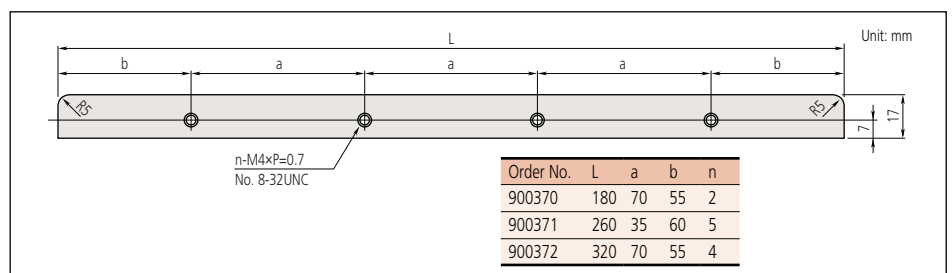
900372

## SPECIFICATIONS

Metric			
Size L	Order No.	Dimensions a, b	n
180mm	<b>900370</b>	70mm, 55mm	2
260mm	<b>900371</b>	35mm, 60mm	5
320mm	<b>900372</b>	70mm, 55mm	4

Inch			
Size L	Order No.	Dimensions a, b	n
7"	<b>900367</b>	2.76", 2.17"	2
10"	<b>900368</b>	1.38", 2.36"	5
12"	<b>900369</b>	2.76", 2.17"	4

## DIMENSIONS



### Attaching the extension base

