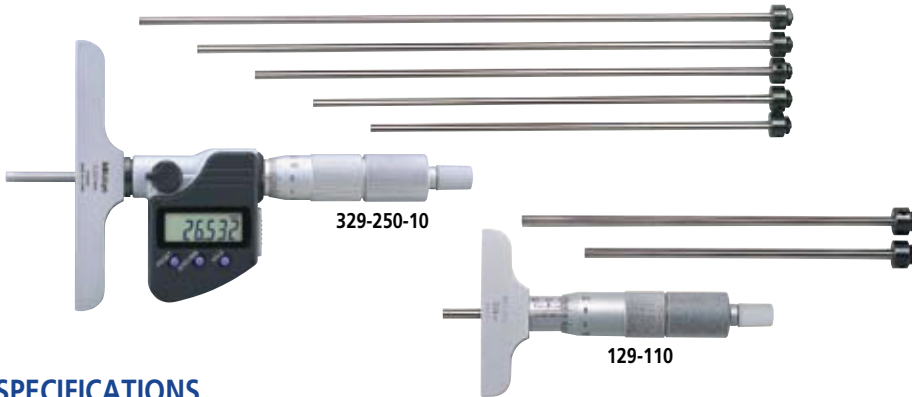


Depth Micrometer

SERIES 329, 129 — Interchangeable Rod Type

FEATURES

- $\varnothing 4\text{mm}$ interchangeable rods, with lapped measuring end, provide a wide measuring range in 25mm increments.
- Ratchet stop provides constant force.
- Measuring rod lock.
- SPC output (Series 329).



SPECIFICATIONS

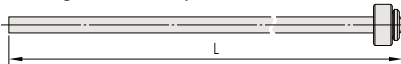
Metric	Digital model		
Range	Order No.	Base	No. of rods
0 - 150mm	329-250-10	101.6 x 16mm	6
0 - 300mm	329-251-10	101.6 x 16mm	12

Metric			
Range	Order No.	Base	No. of rods
0 - 25mm	129-154	63.5 x 16mm	
0 - 25mm	129-155	101.6 x 16mm	
0 - 50mm	129-109	63.5 x 16mm	2
0 - 50mm	129-113	101.6 x 16mm	2
0 - 75mm	129-110	63.5 x 16mm	3
0 - 75mm	129-114	101.6 x 16mm	3
0 - 100mm	129-111	63.5 x 16mm	4
0 - 100mm	129-115	101.6 x 16mm	4
0 - 150mm	129-112	63.5 x 16mm	6
0 - 150mm	129-116	101.6 x 16mm	6
0 - 300mm	129-152	63.5 x 16mm	12
0 - 300mm	129-153	101.6 x 16mm	12

Inch/Metric	Digital model		
Range	Order No.	Base	No. of rods
0 - 6"	329-350-10	4" x .63"	6
0 - 12"	329-351-10	4" x .63"	12

Inch			
Range	Order No.	Base	No. of rods
0 - 2"	129-129	4" x .63"	2
0 - 3"	129-126	2.5" x .63"	3
0 - 3"	129-130	4" x .63"	3
0 - 4"	129-127	2.5" x .63"	4
0 - 4"	129-131	4" x .63"	4
0 - 6"	129-128	2.5" x .63"	6
0 - 6"	129-132	4" x .63"	6
0 - 12"	129-149	2.5" x .63"	12
0 - 12"	129-150	4" x .63"	12

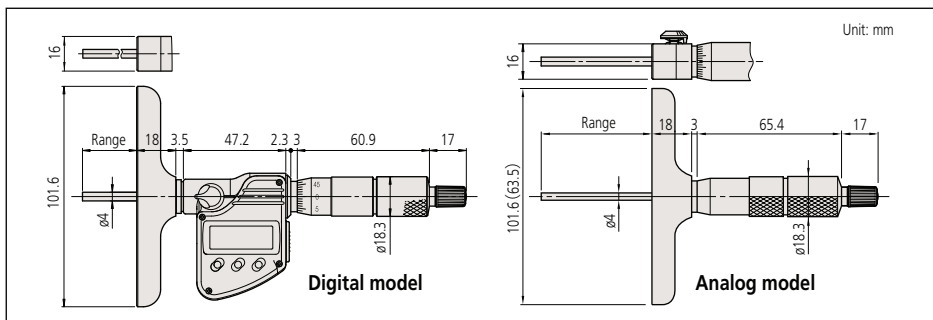
Interchangeable rod (Optional Accessories)



Range	0 - 25mm	25 - 50mm	50 - 75mm	75 - 100mm	100 - 125mm	125 - 150mm	150 - 175mm	175 - 200mm	200 - 225mm	225 - 250mm	250 - 275mm	275 - 300mm
For digital model	Order No.	983501	983503	983505	983507	983509	983511	983525	983527	983531	983533	983535
	L	104mm	129mm	154mm	179mm	204mm	229mm	254mm	279mm	304mm	329mm	379mm
For analog model	Order No.	983505	983507	983509	983511	983525	983527	983529	983531	983533	983535	981781
	L	154mm	179mm	204mm	229mm	254mm	279mm	304mm	329mm	354mm	379mm	429mm

Range	0 - 1"	1 - 2"	2 - 3"	3 - 4"	4 - 5"	5 - 6"	6 - 7"	7 - 8"	8 - 9"	9 - 10"	10 - 11"	11 - 12"
For digital model	Order No.	983502	983504	983506	983508	983510	983512	983526	983528	983530	983532	983534
	L	104.3mm	129.7mm	155.1mm	180.5mm	205.9mm	231.3mm	256.7mm	282.1mm	307.5mm	332.9mm	358.3mm
For analog model	Order No.	983506	983508	983510	983512	983526	983528	983530	983532	983534	983536	981783
	L	155.1mm	180.5mm	205.9mm	231.3mm	256.7mm	282.1mm	307.5mm	332.9mm	358.3mm	383.7mm	434.5mm

DIMENSIONS



Technical Data

Accuracy: $\pm 3\mu\text{m} \pm .00015''$ for micrometer head feed (excluding quantizing error for digital models)
 $\pm (2+L/75)\mu\text{m}$ for interchangeable rod, L = Max. measuring length (mm)
 $\pm [.0001 + .00005 (R/3)]''$
 R = Max. measuring length (inch)
 Fraction rounded up

Resolution*: 0.001mm or .00005"/0.001mm
 (.0001"/0.001mm: **329-351-10**)

Graduation**: 0.01mm or .001"
 Flatness of reference face: $1.3\mu\text{m}$ (.00005") for 63.5mm (2.5") width base,
 $2\mu\text{m}$ (.0001") for 101.6mm (4") width base

Flatness of measuring rod face: 0.3 μm
 Parallelism between reference face and measuring rod face: $(4+L/50)\mu\text{m}$, L = Max. measuring length (mm)
 $[.00016 + .00004 (R/2)]''$, R = Max. measuring length (inch)
 Fraction rounded up

Measuring rod diameter: $\varnothing 4\text{mm}$
 Display*: LCD
 Battery*: SR44 (1 pc.), **938882**
 Battery life*: Approx. 1.2 years under normal use
 *Digital models **Analog models

Functions of Digital Model

2-point Preset, Zero-setting, Data hold, Automatic power ON/OFF, Data output, Preset inch/mm conversion (inch/mm models) Function lock
 Alarm: Low voltage, Counting value composition error

Optional Accessories for Digital Model

- 05CZA662**: SPC cable with data switch (1m)
- 05CZA663**: SPC cable with data switch (2m)
- 02AZD790B**: SPC cable for U-WAVE w/ data switch (160mm)

