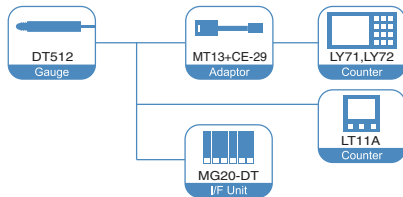
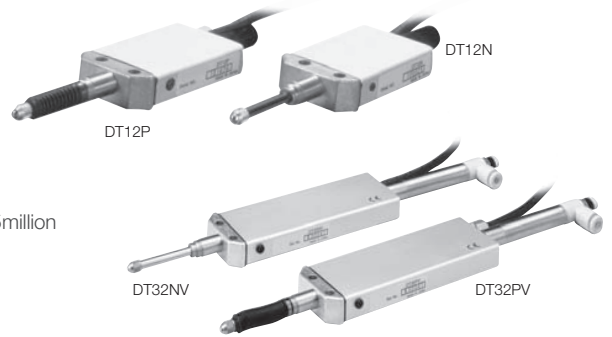


# DT

# DT12N/P, 32N/NV/P/PV

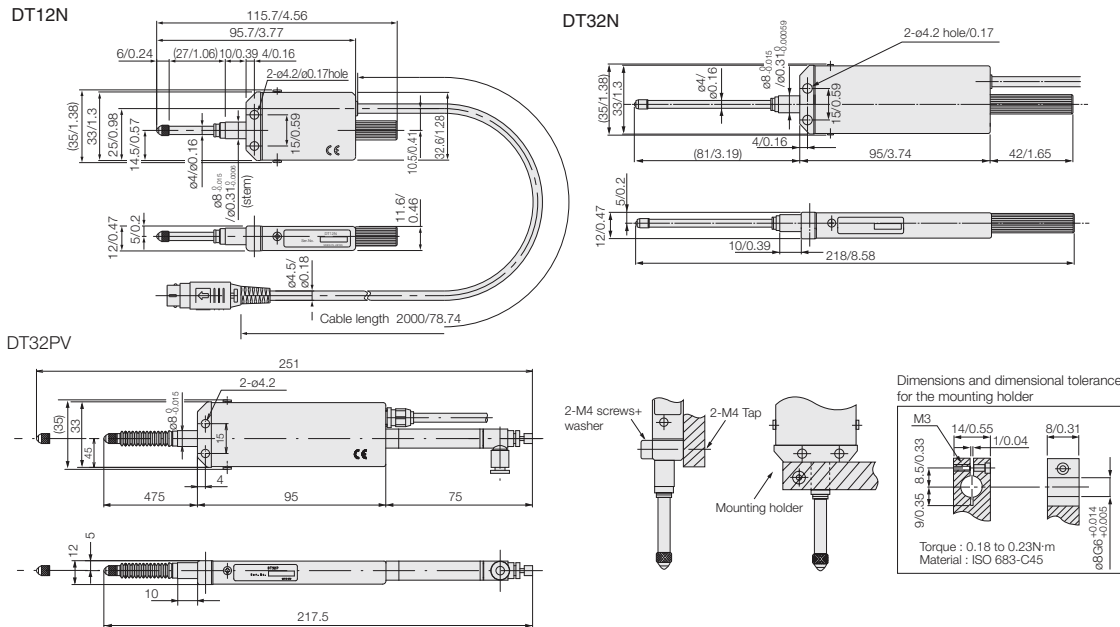
Compact and slim gauges

- Excellent resistance to workshop conditions (DT12P, DT32P/PV : IP64)
- Resistant to oil, water, dust, vibration, and shock.
- Accuracy : 10 $\mu$ m
- Resolution : 5 $\mu$ m
- Measuring range : 12mm/ 0.47", 32mm/1.26"
- Compact size ideal for designing into machines  
DT12 : 12(D) x 35(W) x 116(H)mm/ 0.47" x 1.38" x 4.57"  
DT32 : 12(D) x 35(W) x 218(H)mm/ 0.47" x 1.38" x 8.58"
- Pneumatic push type are also available
- Guaranteed number of strokes : 5million
- Main applications : Automatic sorting of parts



## Digital Gauge

### Dimensions



### Specifications

Model	DT12N	DT12P	DT32N	DT32NV	DT32P	DT32PV
Spindle actuation	—			Pneumatic push type	—	
Measuring range	12 mm/ 0.47"			32 mm/ 1.26"		
Resolution	5 $\mu$ m					
Measuring range force	Upward	0.7 $\pm$ 0.5 N	All direction: 1.7 N or less	1.1 $\pm$ 0.8 N		All direction: 2.9 N or less
	Lateral	0.8 $\pm$ 0.5 N		1.3 $\pm$ 0.8 N		
	Downward	0.9 $\pm$ 0.5 N		1.5 $\pm$ 0.8 N		
Accuracy (at 20°C / 68°F)	10 $\mu$ m					
Operating temperature	0°C to 50°C / 32°F to 122°F (gauge)					
Storage temperature	-10°C to 60°C / 14°F to 140°F					
Cable length	2 m/ 6.56*					
Mounting stem diameter	$\phi$ 8.0 $_{0.015}^{0.015}$ mm/ $\phi$ 0.31" $_{0.00059}^{0.00059}$ *					
Feeler	Feeler tipped with $\phi$ 3 mm/ $\phi$ 0.12" dia. Carbide ball with M2.5p x 0.45 screw on fitting end (DZ-123)					
Mass*1	Approx.75 g/ 2.65 oz	Approx.80 g/ 2.82 oz	Approx.120 g/ 4.23 oz	Approx.140 g/ 4.94 oz	Approx.120 g/ 4.23 oz	Approx.140 g/ 4.94 oz
Protective design grade	—			Equivalent to IP64		
Guaranteed number of strokes	5 million					

\*1 excl. cable unit and Interpolator unit.

\*2 Measuring force with air pressure of 1.96 x 10<sup>5</sup> Pa and speed control is open.

\*3 Measuring force with air pressure of 2.35 x 10<sup>5</sup> Pa and speed control is open.